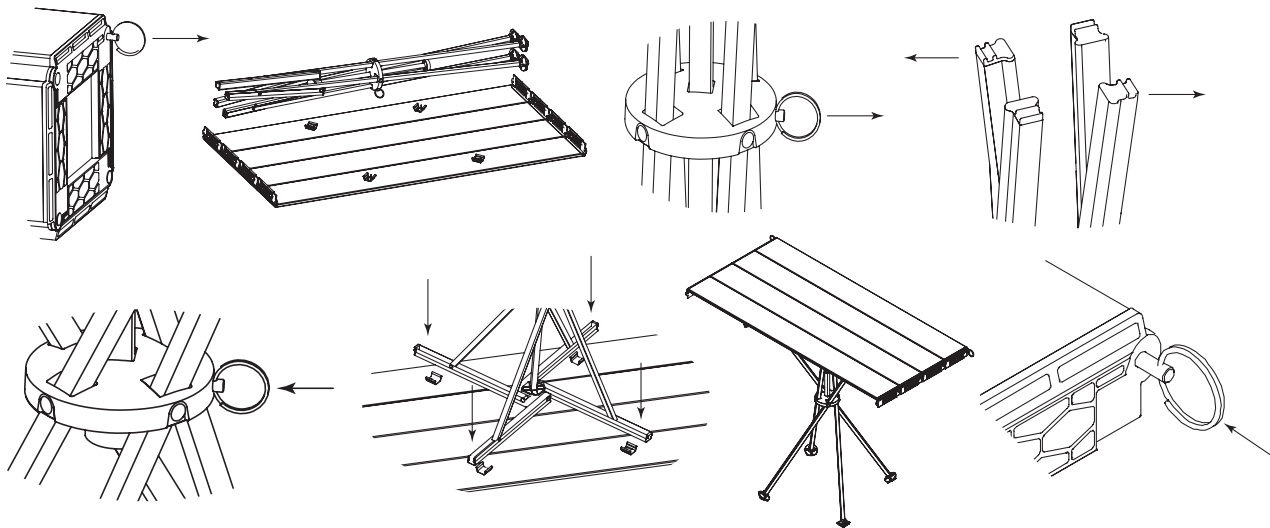


# KEYSTONE OUTDOOR GEAR™ - TAKTABLE™ - CLEAR ANODIZE

CAUTION: TIPPING HAZARD. PLACE HEAVY ITEMS TOWARD CENTER.



Scan for  
InstructionVideo

## Instructions:

- 1 - Remove pins from top/case.
- 2 - Open top and lay face down.
- 3 - Remove base from top/case.
- 4 - Remove locking pin from base.
- 5 - Open base by pulling on opposing spars.
- 6 - Replace locking pin in base
- 7 - Press spars into spring clips on underside of top/case
- 8 - Turn table upright
- 9 - Store locking pins in original top/case holes.



[www.KeystoneOutdoorGear.com](http://www.KeystoneOutdoorGear.com)  
[www.TakTable.com](http://www.TakTable.com)  
Patents Pending